

Input CA Ø11.5  
 SM05 Thread  $\nabla 3.5$  for  
 1/2" or 12mm protective windows  
 up to 2mm thickness  
 (SM05RR retaining ring necessary)

**NOTE:** Device should not  
 be mounted by this part

5 x Mounting holes  
 M4x0.7  $\nabla 5$


Bottom view

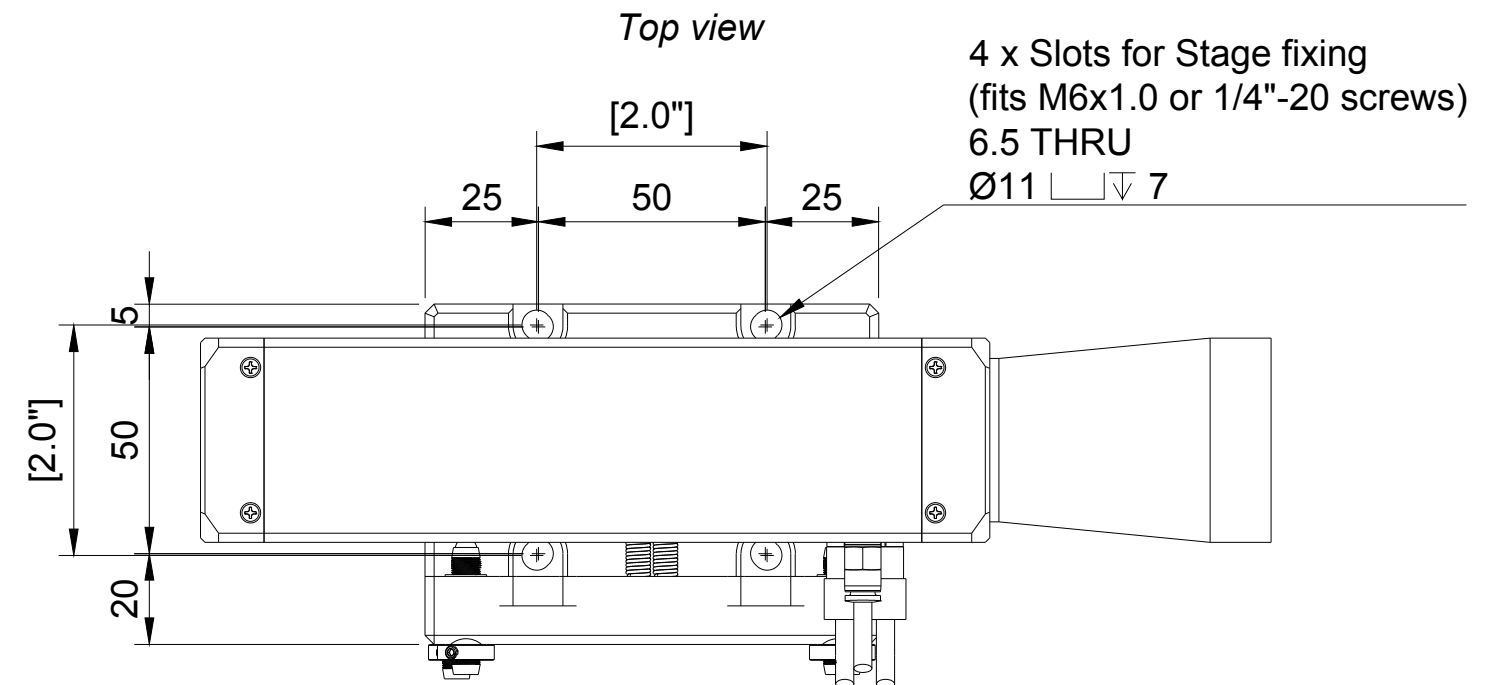
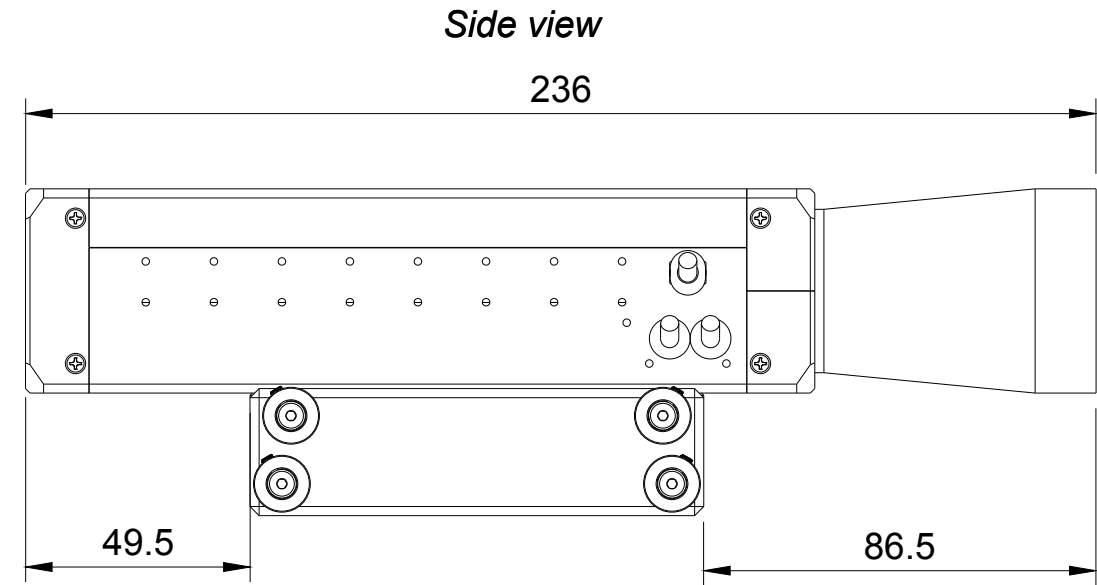
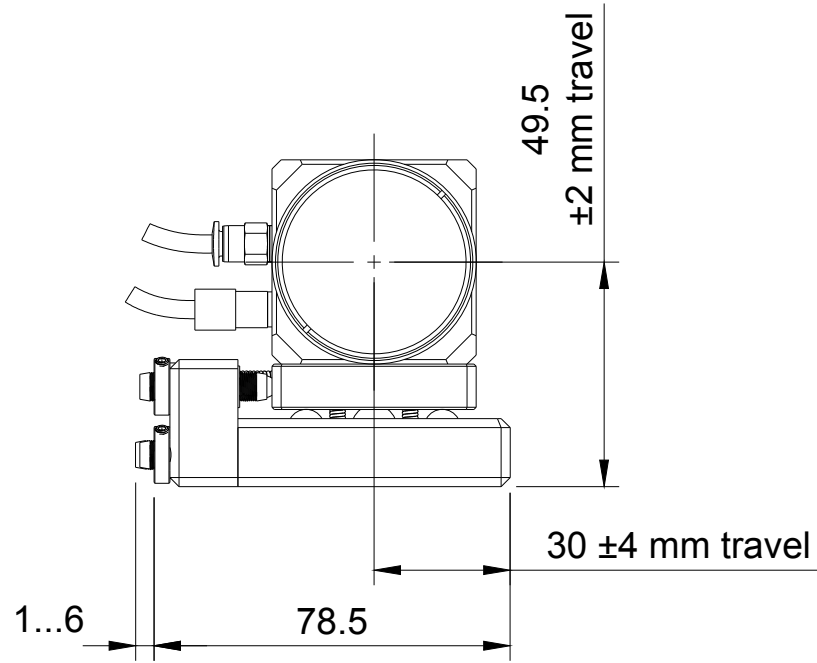
Side view

Beam  
 direction

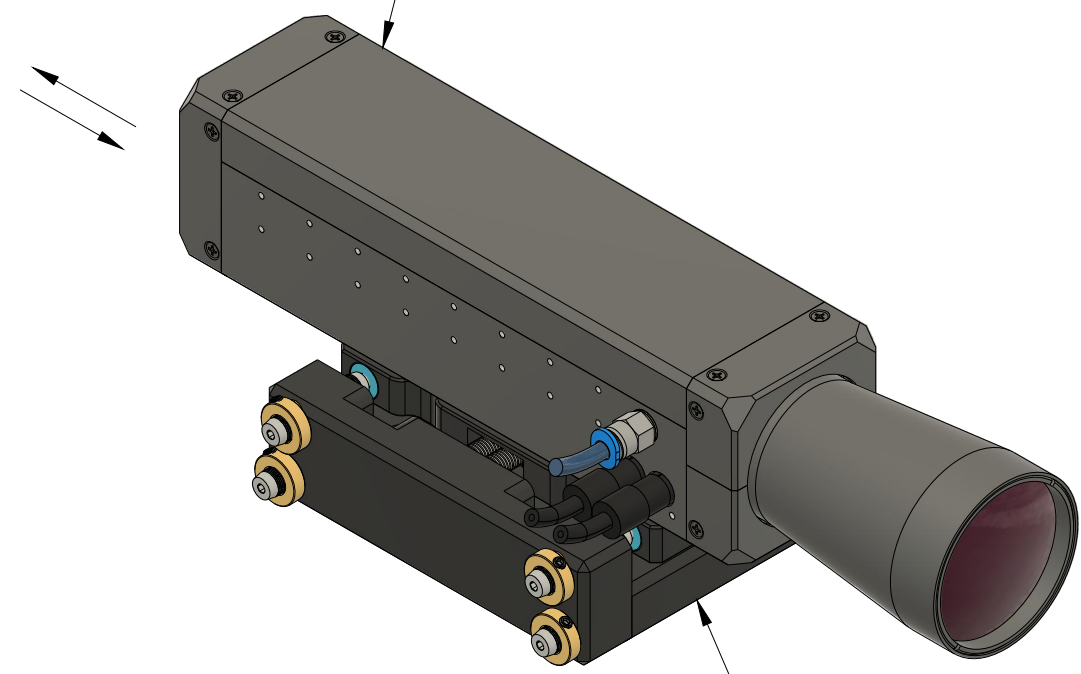
**!** FOR INFORMATION ONLY  
 NOT FOR MANUFACTURING PURPOSES **!**

**NOTE:** Natural anodized or RAW aluminium for UV,  
 Black anodized aluminium for VIS and NIR

	Finish Anodized Aluminium	Created by Optogama 2023-01-04	
	Title Motorised beam expander MEX18-v2 1.0x - 8.0x	DWG No. MEX18-v2 v2.3	
	Scale 3:5	A3	Sheet 1/2




**NOTE:** Motorised expander can be mounted in both directions



4 axis translation stage  
**MSTAGE (SKU12571)**  
(sold separately)

**!** FOR INFORMATION ONLY  
NOT FOR MANUFACTURING PURPOSES **!**

	Finish Anodized Aluminium	Created by Optogama 2023-01-04	
	Title Motorised beam expander <b>MEX18 v2</b> 1.0x - 8.0x	DWG No. MEX18-v2 v2.3	
	Scale 3:5	A3	Sheet 2/2